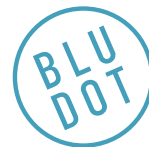
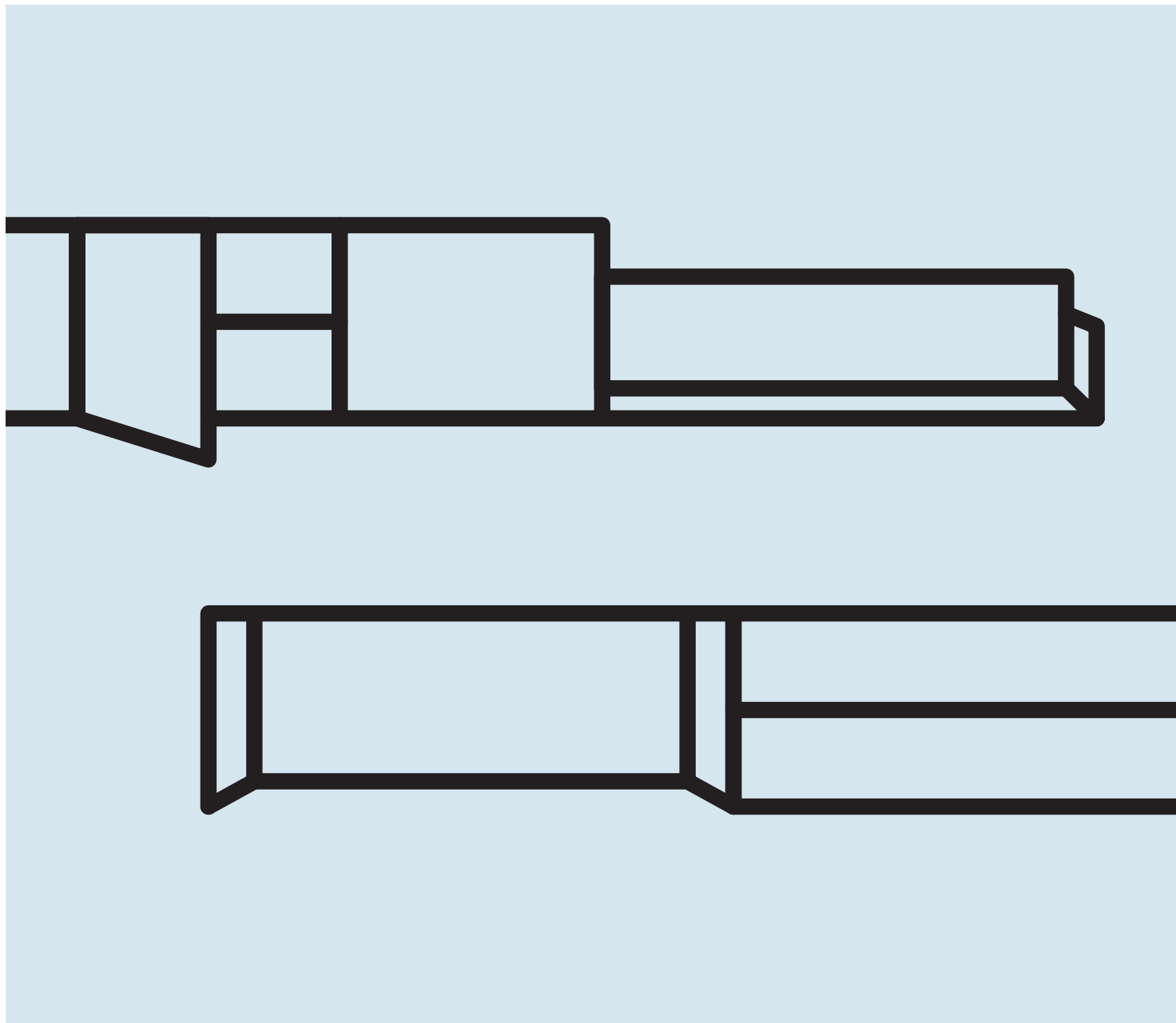


# Wonderwall 1 Door Cabinet



DESIGNED IN 2017

ASSEMBLY NOTES | REV 00



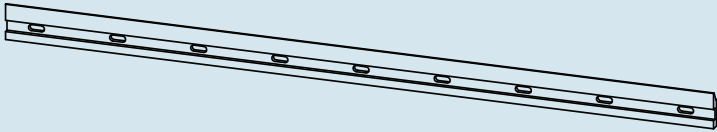
ORGANIZATION CAN BE THE DIFFERENCE BETWEEN CLUTTER AND COLLECTION.

Behind the drop-down door cabinet A/V electronics can easily be stored. It features cord management holes and concealed latches.

NEED A HAND?

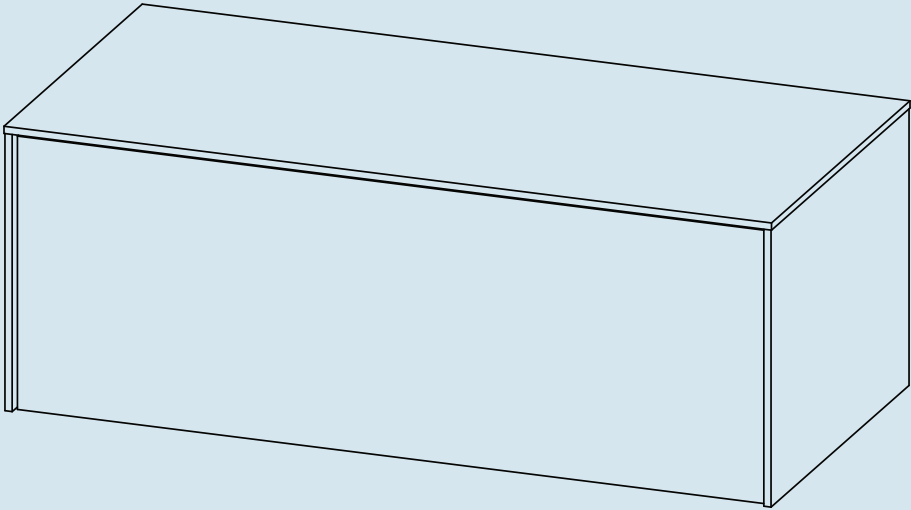
Contact us at [service@bludot.com](mailto:service@bludot.com) or **844.425.8368** for assistance.

# Parts & Hardware



QTY \_\_\_\_\_ 1

Wall Cleat



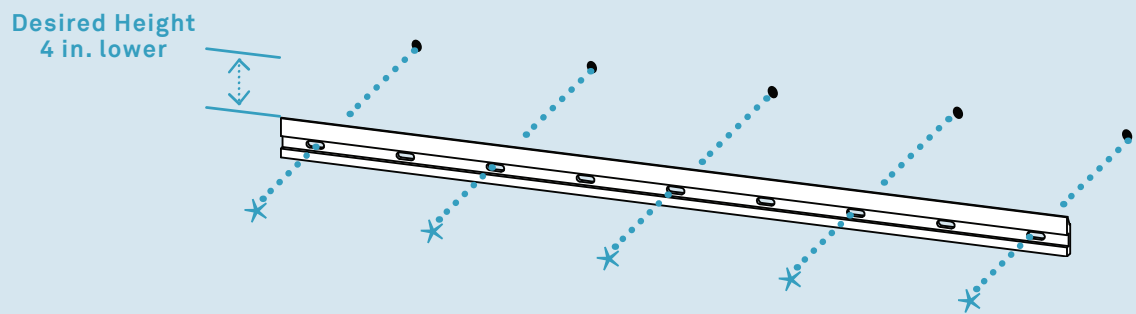
QTY \_\_\_\_\_ 1

Case

# Step 01

## ATTACH WALL CLEAT.

Attach the wall cleat using the outermost holes first, then distribute the other screws based on the wall studs. \* Position the top of the wall cleat 4" lower than your desired height of the case.

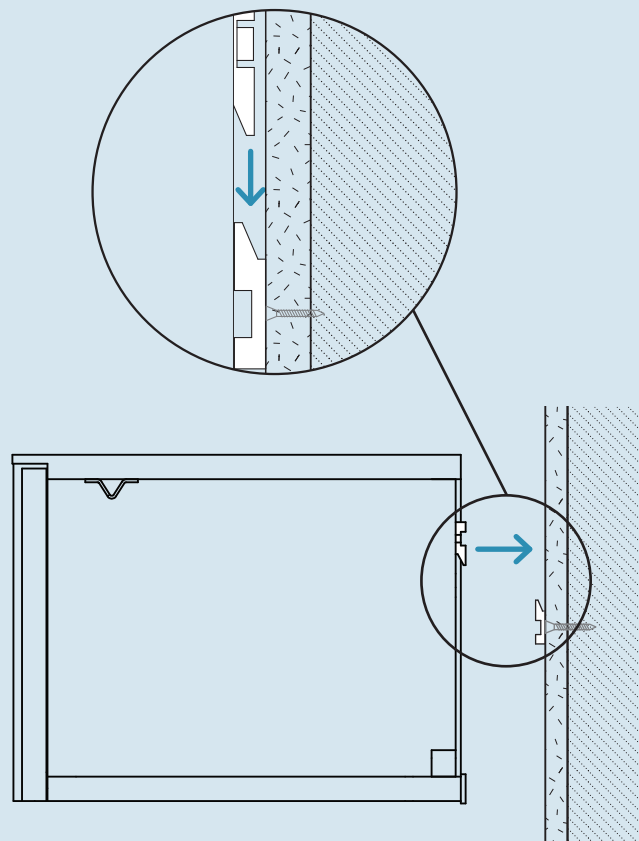


\* It is recommended that you consult with a professional to determine the method and hardware required for installation.

# Step 02

## HANGING THE CASE.

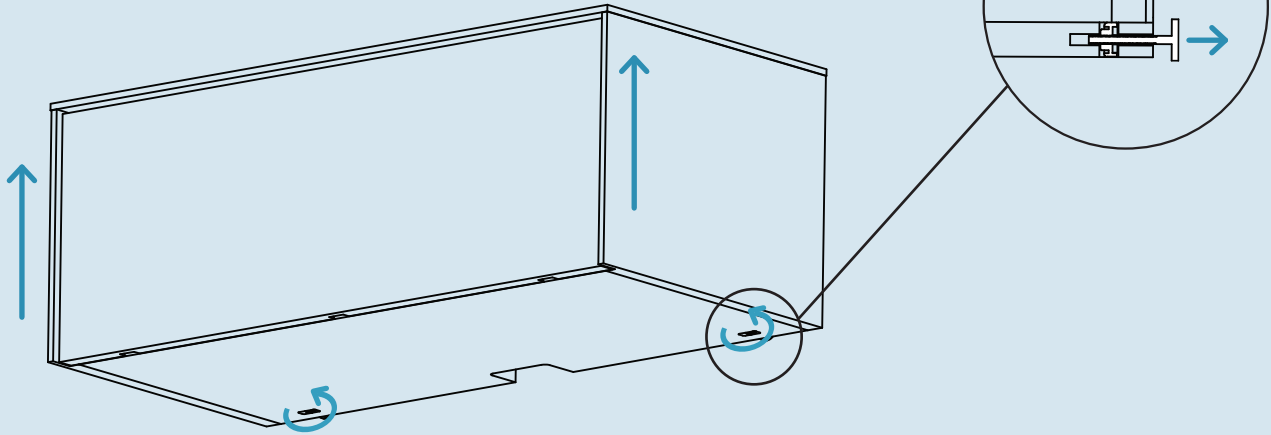
Place case against the wall about the wall cleat. Carefully slide case down along the wall until it engages with the wall cleat as shown.



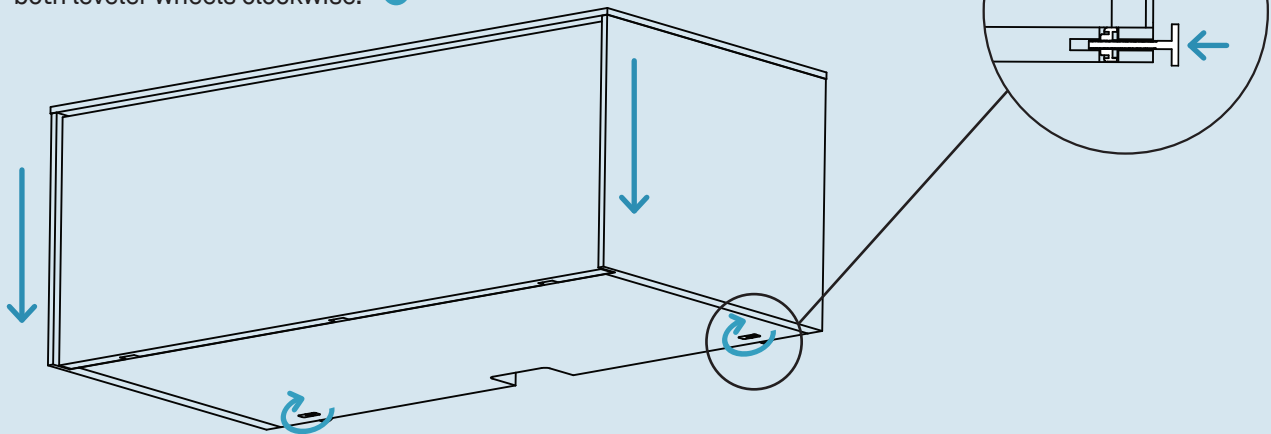
# Step 03

## INITIAL ADJUSTMENT.

To lift the front of case as shown, turn both leveler wheels counterclockwise. ↺



To lower the front of case as shown, turn both leveler wheels clockwise. ↻



## Additional Information

### CLEAN

Clean with a slightly damp, soft cloth. To remove dirt and fingerprints, use a quality cleaner formulate for wood furniture. Wipe completely dry with a soft cloth in the direction of the wood grain.

